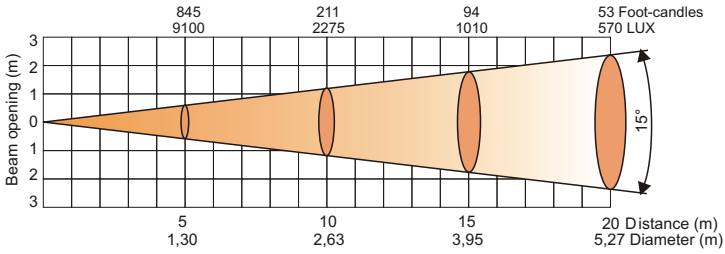


# Scan 1200<sup>XT</sup>

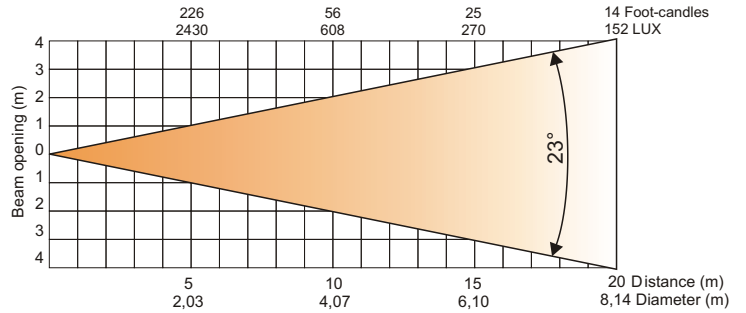
## Photometric Diagrams

Lamp: HMI 1200W/GS

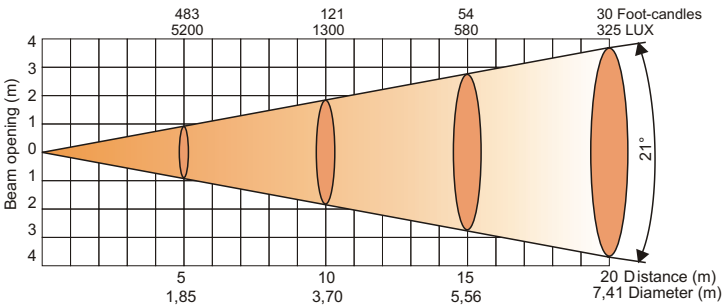
15° radiation angle



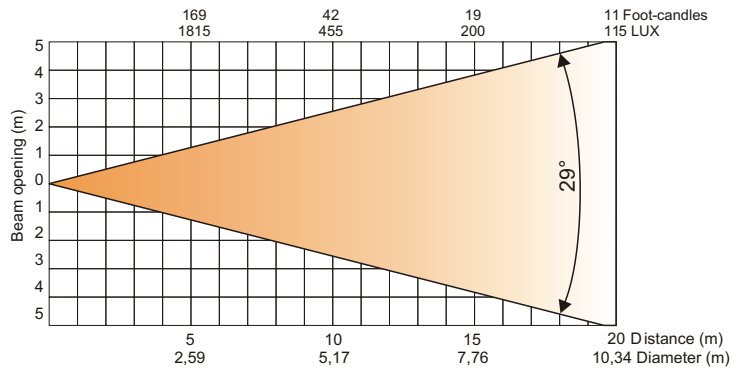
15° radiation angle with frost



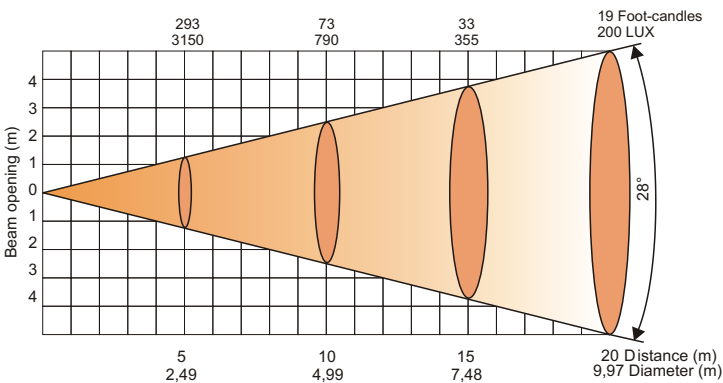
21° radiation angle



21° radiation angle with frost



28° radiation angle



28° radiation angle with frost

